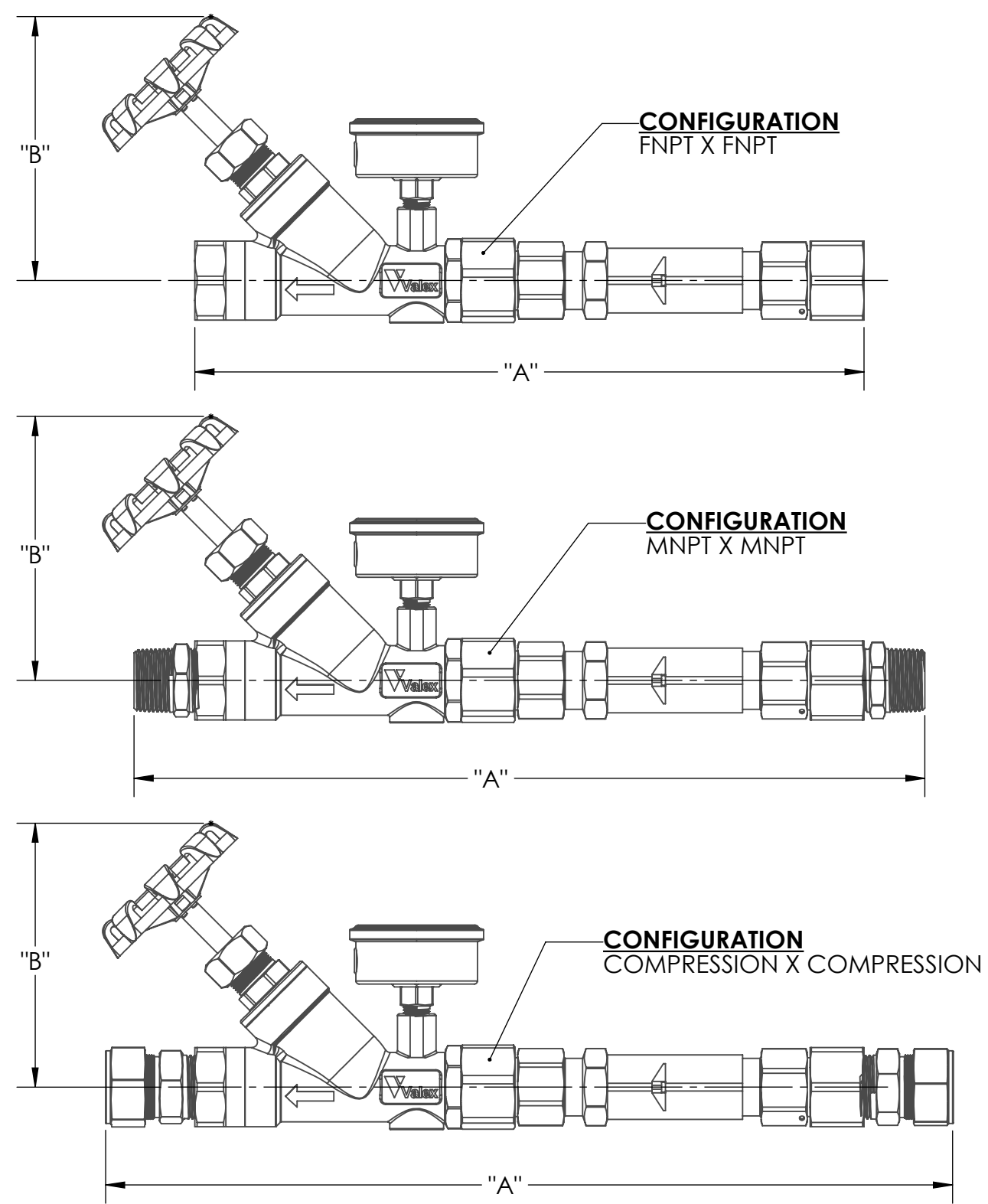



REVISION RECORD			
DATE	REV.	DESCRIPTION	DCN
05-31-2022	F	CHANGES PER DCN 5632	5632
12-20-2023	G	CHANGES PER DCN 6055	6055

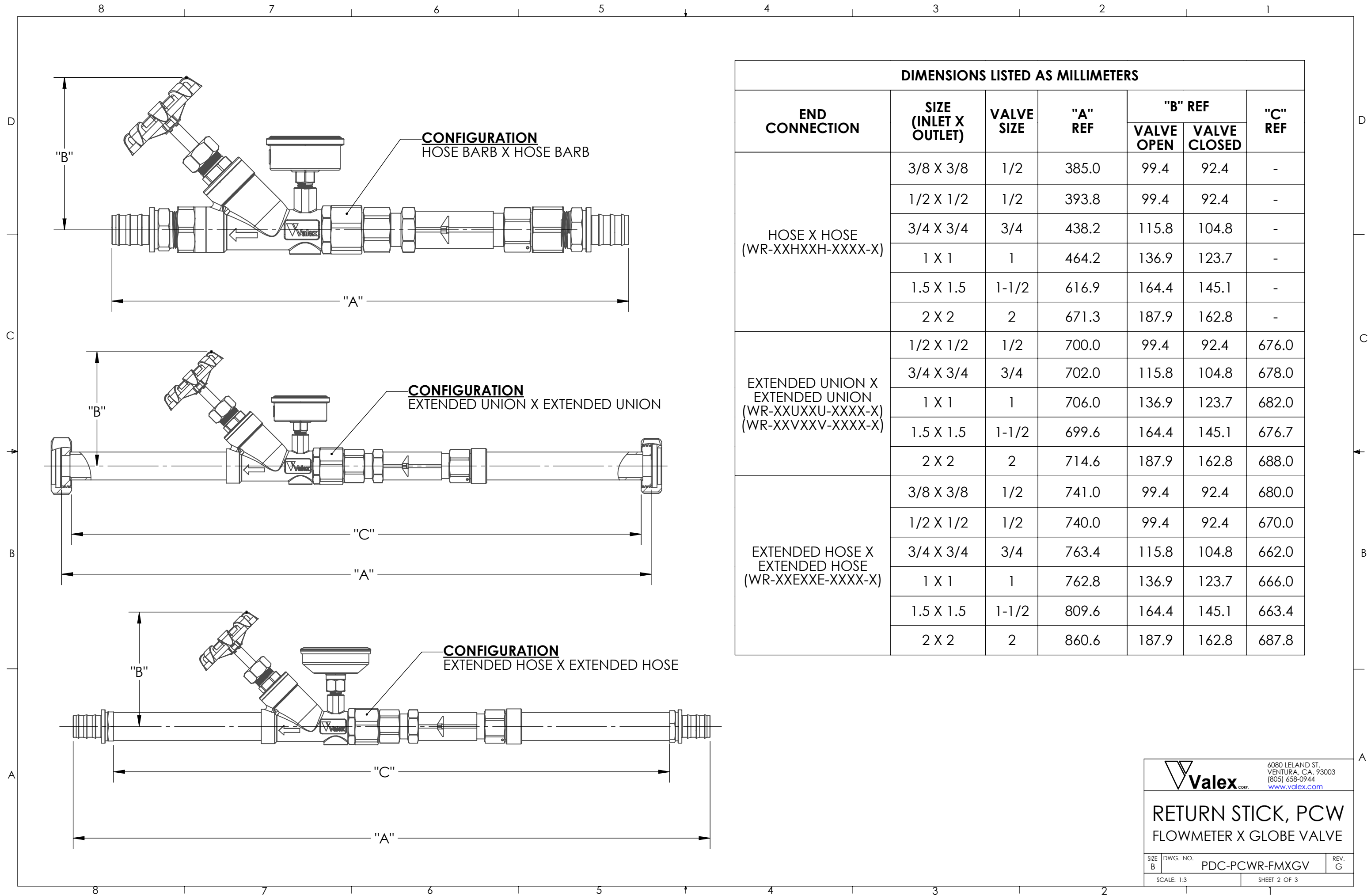


END CONNECTION	SIZE (INLET X OUTLET)	VALVE SIZE	"A" REF	"B" REF	
				VALVE OPEN	VALVE CLOSED
FNPT X FNPT (WR-XXFXXF-XXXX-X)	1/2 X 1/2	1/2	308.0	99.4	92.4
	3/4 X 3/4	3/4	324.0	115.8	104.8
	1 X 1	1	347.0	136.9	123.7
	1.5 X 1.5	1-1/2	440.6	164.4	145.1
	2 X 2	2	470.6	187.9	162.8
MNPT X MNPT (WR-XXMXXM-XXXX-X)	1/2 X 1/2	1/2	366.6	99.4	92.4
	3/4 X 3/4	3/4	382.4	115.8	104.8
	1 X 1	1	410.0	136.9	123.7
	1.5 X 1.5	1-1/2	508.7	164.4	145.1
	2 X 2	2	541.5	187.9	162.8
COMPRESSION X COMPRESSION (WR-XXCXXC-XXXX-X)	1/2 X 1/2	1/2	382.0	99.4	92.4
	3/4 X 3/4	3/4	397.2	115.8	104.8
	1 X 1	1	439.6	136.9	123.7
	1.5 X 1.5	1-1/2	583.7	164.4	145.1
	2 X 2	2	660.0	187.9	162.8

- DIMENSIONS ARE APPROXIMATE AND MAY VARY ON EACH PCW ASSEMBLY.
- REFERENCE VALEX SPECIFICATION SP-9238 FOR ADDITIONAL DETAILS.
- DIMENSIONS ARE SUBJECT TO CHANGE AS PRODUCT IMPROVEMENTS MAY ALTER ASSEMBLY DESIGN.

NOTES: UNLESS OTHERWISE SPECIFIED

CAD GENERATED DRAWING. DO NOT MANUALLY UPDATE		 6080 LELAND ST. VENTURA, CA. 93003 (805) 658-0944 www.valex.com	
APPROVALS	DATE	RETURN STICK, PCW FLOWMETER X GLOBE VALVE	
DRAWN C. MAO	10-04-2018		
CHECKED T. NEVINS	04-17-2019		
ENG. C. MAO	04-17-2019		
Q.A. J. KIM	04-18-2019		
MFG. T. KELLENBERGER	04-18-2019	SIZE B DWG. NO. PDC-PCWR-FMXGV SCALE: 1:3	REV. G SHEET 1 OF 3



DIMENSIONS LISTED AS MILLIMETERS

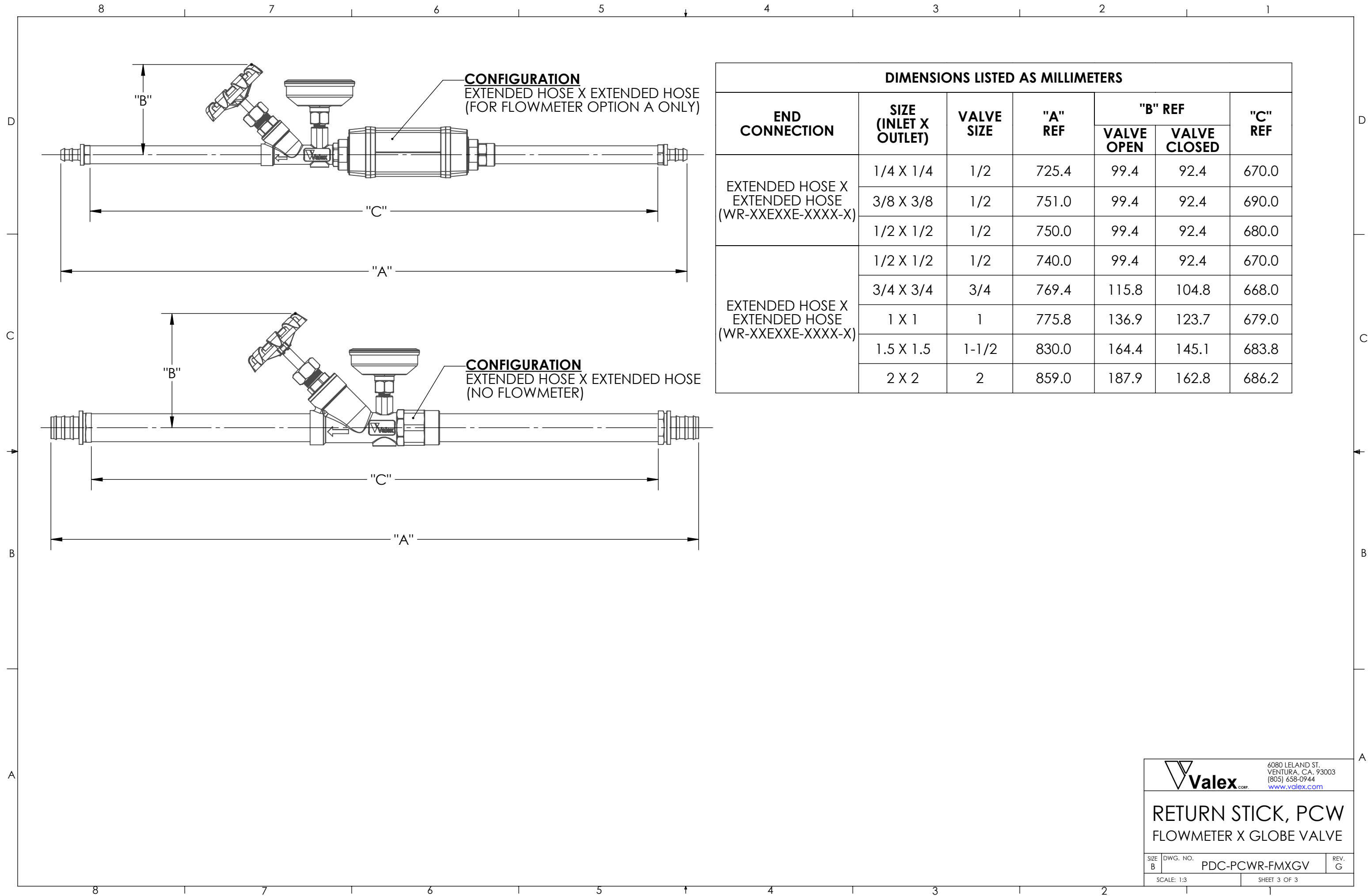
END CONNECTION	SIZE (INLET X OUTLET)	VALVE SIZE	"A" REF	"B" REF		"C" REF
				VALVE OPEN	VALVE CLOSED	
HOSE X HOSE (WR-XXHXXH-XXXX-X)	3/8 X 3/8	1/2	385.0	99.4	92.4	-
	1/2 X 1/2	1/2	393.8	99.4	92.4	-
	3/4 X 3/4	3/4	438.2	115.8	104.8	-
	1 X 1	1	464.2	136.9	123.7	-
	1.5 X 1.5	1-1/2	616.9	164.4	145.1	-
	2 X 2	2	671.3	187.9	162.8	-
EXTENDED UNION X EXTENDED UNION (WR-XXUXXU-XXXX-X) (WR-XXVXXV-XXXX-X)	1/2 X 1/2	1/2	700.0	99.4	92.4	676.0
	3/4 X 3/4	3/4	702.0	115.8	104.8	678.0
	1 X 1	1	706.0	136.9	123.7	682.0
	1.5 X 1.5	1-1/2	699.6	164.4	145.1	676.7
	2 X 2	2	714.6	187.9	162.8	688.0
EXTENDED HOSE X EXTENDED HOSE (WR-XXEXXE-XXXX-X)	3/8 X 3/8	1/2	741.0	99.4	92.4	680.0
	1/2 X 1/2	1/2	740.0	99.4	92.4	670.0
	3/4 X 3/4	3/4	763.4	115.8	104.8	662.0
	1 X 1	1	762.8	136.9	123.7	666.0
	1.5 X 1.5	1-1/2	809.6	164.4	145.1	663.4
	2 X 2	2	860.6	187.9	162.8	687.8


 6080 LELAND ST.
 VENTURA, CA. 93003
 (805) 658-0944
www.valex.com

**RETURN STICK, PCW
FLOWMETER X GLOBE VALVE**

SIZE B	DWG. NO. PDC-PCWR-FMXGV	REV. G
-----------	----------------------------	-----------

SCALE: 1:3 SHEET 2 OF 3



DIMENSIONS LISTED AS MILLIMETERS						
END CONNECTION	SIZE (INLET X OUTLET)	VALVE SIZE	"A" REF	"B" REF		"C" REF
				VALVE OPEN	VALVE CLOSED	
EXTENDED HOSE X EXTENDED HOSE (WR-XXEXXE-XXXX-X)	1/4 X 1/4	1/2	725.4	99.4	92.4	670.0
	3/8 X 3/8	1/2	751.0	99.4	92.4	690.0
	1/2 X 1/2	1/2	750.0	99.4	92.4	680.0
EXTENDED HOSE X EXTENDED HOSE (WR-XXEXXE-XXXX-X)	1/2 X 1/2	1/2	740.0	99.4	92.4	670.0
	3/4 X 3/4	3/4	769.4	115.8	104.8	668.0
	1 X 1	1	775.8	136.9	123.7	679.0
	1.5 X 1.5	1-1/2	830.0	164.4	145.1	683.8
	2 X 2	2	859.0	187.9	162.8	686.2

Valex corp. 6080 LELAND ST. VENTURA, CA. 93003 (805) 658-0944 www.valex.com

RETURN STICK, PCW FLOWMETER X GLOBE VALVE

SIZE B	DWG. NO. PDC-PCWR-FMXGV	REV. G
--------	-------------------------	--------

SCALE: 1:3 SHEET 3 OF 3