



Mini  
Ball Valve



## Product Description

- Size Range: 1/4" – 3/4"
- Pressure Rating: 1000 PSIG (69 BARG)
- Temperature Range: -20°F to 450°F (-29°C to 232°C)

## Features & Benefits

- 2-Piece Design
- Panel mount capability
- 100% Helium leak tested to  $1 \times 10^{-7}$  atm•cc/sec
- Cleaned for Oxygen Service (CFOS)
- High cycle life performance
- Full port I.D. for minimum flow turbulence
- Inspected to meet Valex quality standards, and comes with a Certificate of Compliance to Valex specification SP-9229
- Nitrogen-purged and double polyethylene bagged
- ISO Class 5 cleanroom assembled, tested & packaged
- Lock-out bracket option available

## Flow Coefficient

Valve Size	Flow Orifice	Cv <sup>1</sup>
1/4"	0.180"	2.9
3/8"	0.305"	9.0
1/2"	0.402"	16.3
3/4"	0.620"	41.2

1. Flow coefficient data calculated using methods described in Crane Technical Paper TP-410.

## Materials of Construction

Item	Qty	Part	Material
A	1	HANDLE	GLASS FILLED NYLON
B	1	BODY NUT	SS
C	1	STEM NUT	316 SS
D	2	STEM WASHER	SS
E	3	PACKING	PTFE
F	1	STEM	316 SS
G	1	BODY	ASTM A351-CF8M
H	2	SEAT	TFM™ 1600 PTFE*
I	1	BALL	CF8M / 316 SS
J	1	GASKET	PTFE
K	1	ENDCAP	316 SS

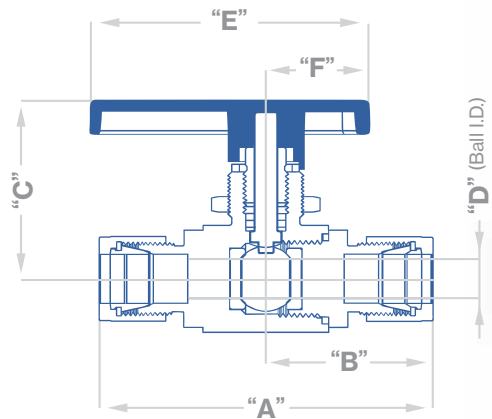
SS = Stainless Steel

\* Dyneon and TFM are trademarks of Dyneon

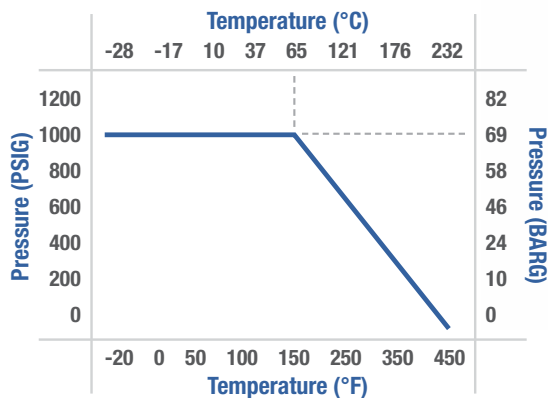
## Dimensions Listed as Millimeters\*

Size	"A"	"B"	"C"	"D"	"E"	"F"
1/4"	67.0	33.5	42.0	5.0	49.4	18.5
3/8"	77.2	38.6	45.0	7.8	59.5	24.5
1/2"	87.4	43.7	47.2	10.3	74.3	27.9
3/4"	98.0	49.0	48.2	12.0	74.3	27.9

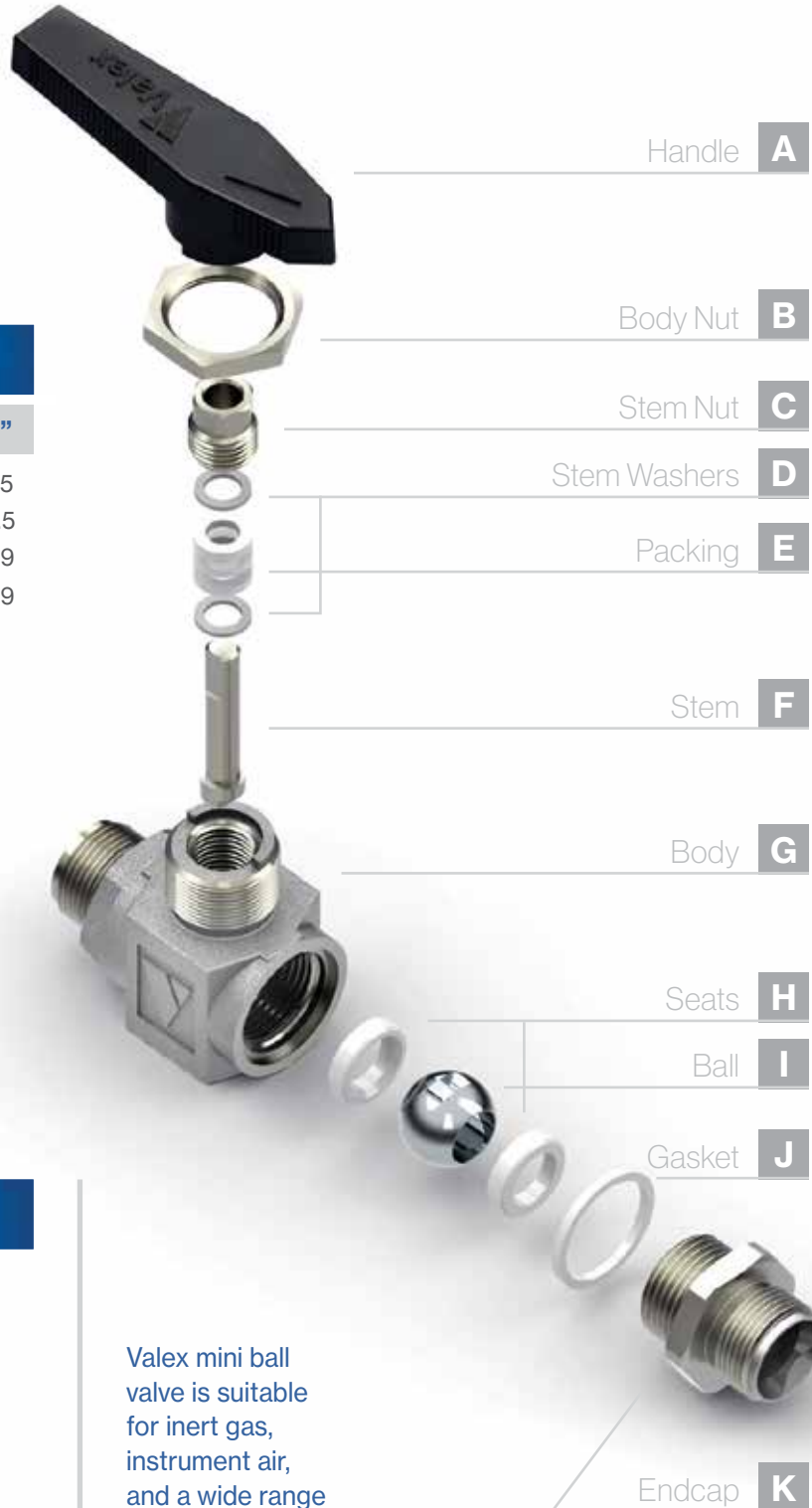
\* Dimensions are applicable to compression fitting inlet and outlet (CC) configuration. Dimensions are approximate, may vary from valve to valve, and assumes compression nuts are finger tight.



## Pressure Temperature Rating



# Mini Ball Valve



Valex mini ball valve is suitable for inert gas, instrument air, and a wide range of industrial high purity applications.



## Ordering Information

M - S T R 0 8 C C X X X X

**M**

### Valve Series

M = Mini Ball Valve

**X | X**

### Branch Valve Size

XX = No Branch Valve(s)

**S | T | R**

### Assembly Pattern

STR = Straight

**X | X**

### Connection On Branch Valve(s)

XX = No Branch Valve(s)

**0 | 8**

### Main Line Size

04 = 1/4"

06 = 3/8"

08 = 1/2"

12 = 3/4"

**(Optional)**

### Valve Lockout Device

Blank = No Lockout Device Installed

L = Lockout Device Installed

**C | C**

### Main Line End Connection

CC = Compression Fitting Inlet & Outlet

CP = Compression Fitting Inlet, Compression Fitting Outlet w/ Plug



[www.valex.com](http://www.valex.com)

**Valex Corporate  
Offices & Manufacturing**  
6080 Leland Street  
Ventura, CA 93003  
Phone: 805-658-0944

32 Hansan-gil  
Cheongbuk-eup  
Pyeongtaek-si, Gyeonggi-do  
Republic of Korea  
Phone: 82-31-683-0119

No. 559 Yuanzhong Road  
Nanhui Industrial Zone  
Pudong New District  
Shanghai, China 201399  
Phone: 86-21-58183189

Valex



Neither ozone-depleting nor mercury-bearing compounds are used during Valex processing or testing of any product.