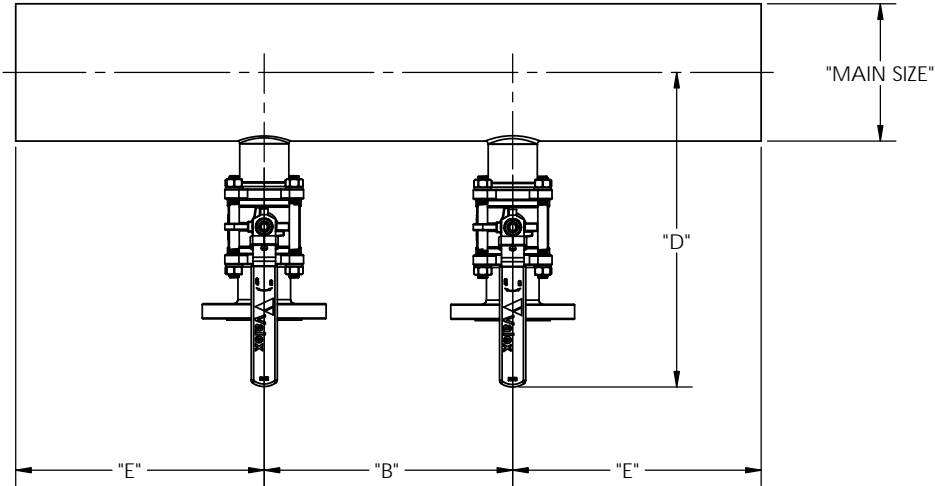
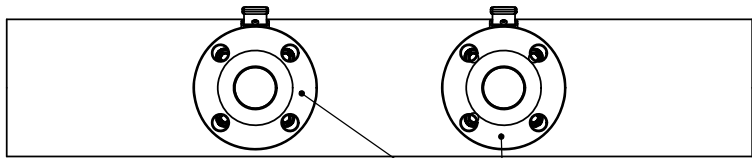


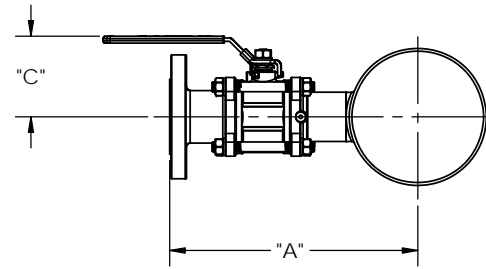
REVISION RECORD			
REV.	DATE	DESCRIPTION	DCN
A	02-20-2013	INITIAL RELEASE	1758
B	04-16-2013	CHANGES PER DCN 1896	1896
C	05-22-2018	CHANGES PER DCN 3976	3976



DIMENSIONS IN MILLIMETERS						
SIZE		"A"	"B"	"C"	"D"	"E"
MAIN	BRANCH					
NPS 6	NPS 1-1/2	281.9	304.8	91	381	304.8
	NPS 2	304.4	304.8	99	386	304.8
NPS 8	NPS 1-1/2	307.3	304.8	91	406	304.8
	NPS 2	329.8	304.8	99	411	304.8




"BRANCH SIZE"
(ASME B16.5 CLASS 150
FLANGE CONNECTIONS)



1. DIMENSIONS ARE APPROXIMATE AND MAY VARY FROM VALVE TO VALVE. REFERENCE VALEX SPECIFICATION SP-9236 FOR OVERALL LENGTH TOLERANCES.
2. DIMENSIONS ARE SUBJECT TO CHANGE AS PRODUCT IMPROVEMENTS MAY ALTER VALVE DESIGN.

NOTES: UNLESS OTHERWISE SPECIFIED

CAD GENERATED DRAWING. DO NOT MANUALLY UPDATE		 6080 LELAND ST. VENTURA, CA, 93003 (805) 658-0944 www.valex.com	
APPROVALS	DATE	BALL VALVE, PCW DSS CROSS, PIPE X FLANGE	
DRAWN C. MAG	01-15-2013		
CHECKED T. NEVINS	02-14-2013		
ENG. C. MAG	02-14-2013		
C.A. R. MULDRON	02-14-2013	SIZE B	DWG. NO. PDC-PCW-DSS-LF
MFG. T. KELLENBERGER	02-14-2013	SCALE: 1:6	REV. C
		SHEET 1 OF 1	