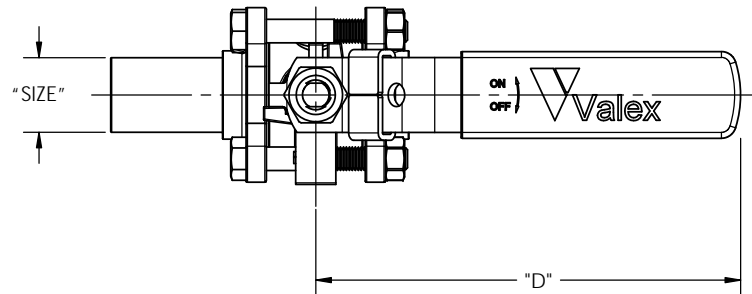
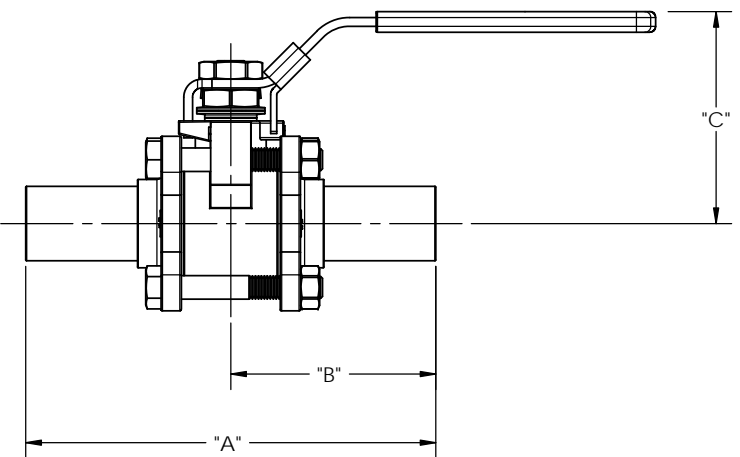


REVISION RECORD			
REV.	DATE	DESCRIPTION	DCN
N	10-03-2011	CHANGE PER DCN 1479	1479
O	01-10-2012	CHANGES PER DCN 1539	1539
P	11-20-2012	CHANGES PER DCN 1757	1757
Q	01-12-2015	CHANGES PER DCN 2527	2527



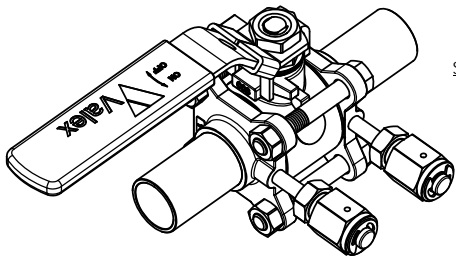
DIMENSIONS IN INCHES (ASTM TUBE SIZES)				
SIZE	"A"	"B"	"C"	"D"
1/4"	4.50	2.25	2.16	4.40
3/8"	4.50	2.25	2.16	4.40
1/2"	5.00	2.50	2.16	4.40
3/4"	5.25	2.63	2.32	5.11
1"	5.50	2.75	2.92	5.65
1-1/2"	7.00	3.50	3.76	7.72
2"	8.00	4.00	4.12	7.72
2-1/2"	9.50	4.75	5.68	12.08
3"	10.80	5.40	6.03	12.08
4"	12.35	6.18	7.04	15.52
6"	17.00	8.50	10.6	18.0-36.0




DIMENSIONS IN MILLIMETERS (JIS PIPE SIZES)			
JIS PIPE SIZE	"A"	"B"	"C"
JIS 15A	140	70	74.2
JIS 20A	170	85	95.5
JIS 25A	180	90	95.5
JIS 32A	210	105	104.6
JIS 40A	210	105	104.6
JIS 50A	240	120	144.3
JIS 65A	275	137.5	153.2
JIS 80A	315	157.5	178.6
JIS 100A	375	187.5	190.7
JIS 125A	440	220	269.2
JIS 150A	440	220	269.2

1. DIMENSIONS ARE APPROXIMATE AND MAY VARY FROM VALVE TO VALVE. REFERENCE VALEX SPECIFICATION SP-9217 FOR OVERALL LENGTH TOLERANCES.
2. IF PURGE PORT OPTION IS SELECTED, 1/4" PURGE WILL BE USED ON VALVES UP TO 2" TUBE / JIS 50A / NPS 2. 1/2" PURGE IS USED ON VALVES LARGER THAN 2" TUBE / JIS 50A / NPS 2.
3. DIMENSIONS ARE SUBJECT TO CHANGE AS PRODUCT IMPROVEMENTS MAY ALTER VALVE DESIGN.

NOTES: UNLESS OTHERWISE SPECIFIED



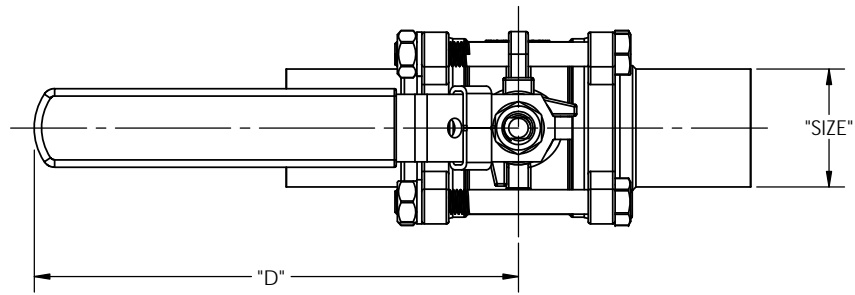
SHOWN WITH OPTIONAL FACE-SEAL PURGE PORTS
(COMPRESSION PURGE ALSO AVAILABLE)

CAD GENERATED DRAWING. DO NOT MANUALLY UPDATE		 6080 LELAND ST. VENTURA, CA, 93003 (805) 658-0944 www.valex.com	
APPROVALS	DATE	BALL VALVE, STR STRAIGHT, TUBE/PIPE ENDS	REV. Q
DRAWN C. MAO	06-21-2001		
CHECKED A. MAGANA	08-03-2001	SIZE B DWG. NO. PDC-STR-MM SCALE: 0.6:1 SHEET 1 OF 2	
ENG. R. KOTTLER	08-03-2001		
C.A. R. MULDONG	08-03-2001		
MFG. T. KELLENBERGER	08-03-2001		

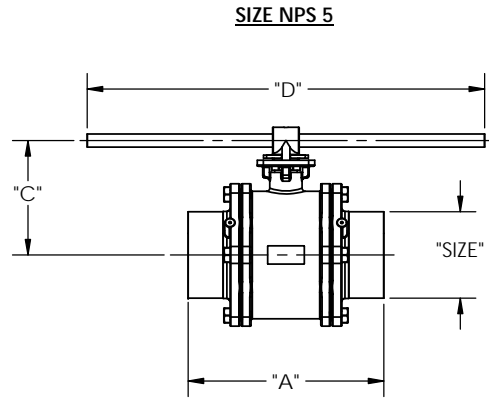
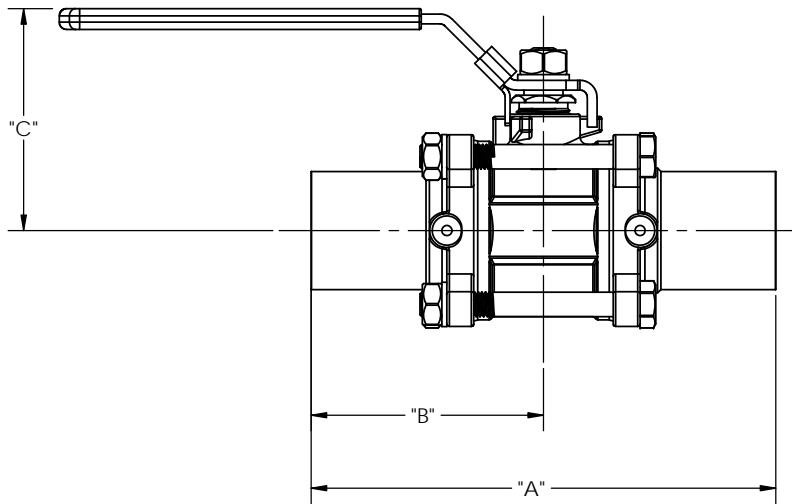
THE INFORMATION CONTAINED IN THIS DRAWING IS THE SOLE PROPERTY OF VALEX CORPORATION. ANY REPRODUCTION IN PART OR WHOLE WITHOUT THE WRITTEN PERMISSION OF VALEX CORPORATION IS PROHIBITED.

DIMENSIONS IN MILLIMETERS (NPS PIPE SIZES)

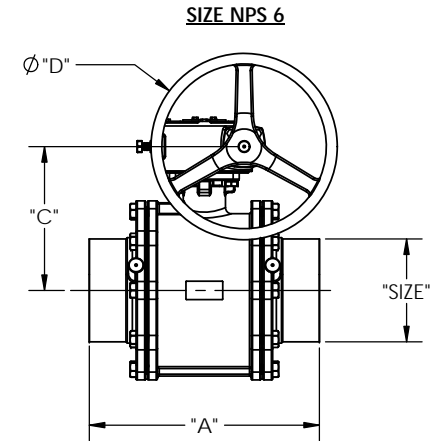
SIZE	"A"	"B"	"C"	"D"
NPS 1/2	135.4	67.7	59	105
NPS 3/4	135.0	67.5	65	133
NPS 1	152.0	76.0	74	159
NPS 1-1/2	190.0	95.0	91	198
NPS 2	208.0	104.0	99	198
NPS 3	280.0	140.0	149	260
NPS 4	306.0	153.0	186	288
NPS 5	320.0	160.0	198	650
NPS 6	376.4	188.2	235	305



SIZES NPS 1/2 THRU NPS 4



SIZE NPS 5



SIZE NPS 6

NOTES: UNLESS OTHERWISE SPECIFIED

Valex
 6080 LELAND ST.
 VENTURA, CA, 93003
 (805) 658-0944
 www.valex.com

BALL VALVE, STR
 STRAIGHT, TUBE/PIPE ENDS

SIZE B	DWG. NO. PDC-STR-MM	REV. Q
SCALE: 0.6:1	SHEET 2 OF 2	