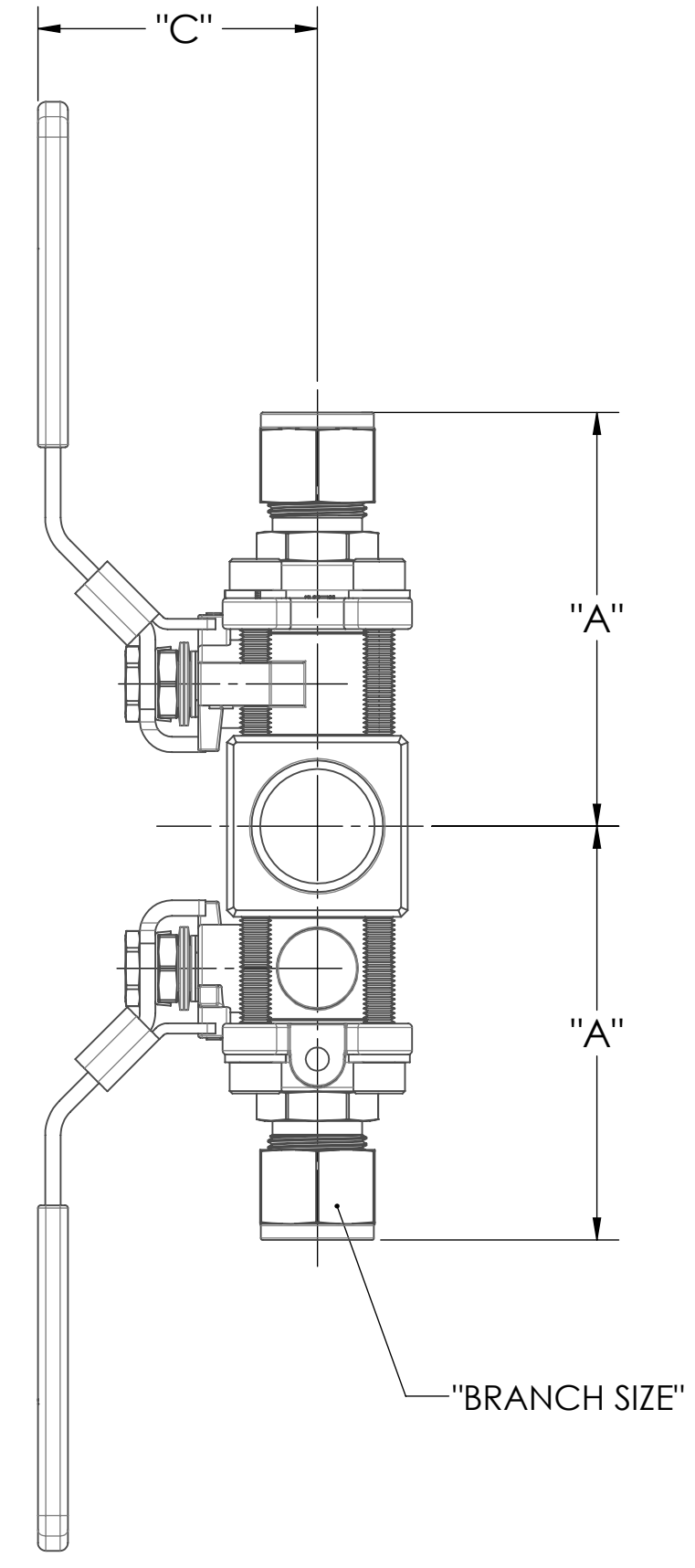
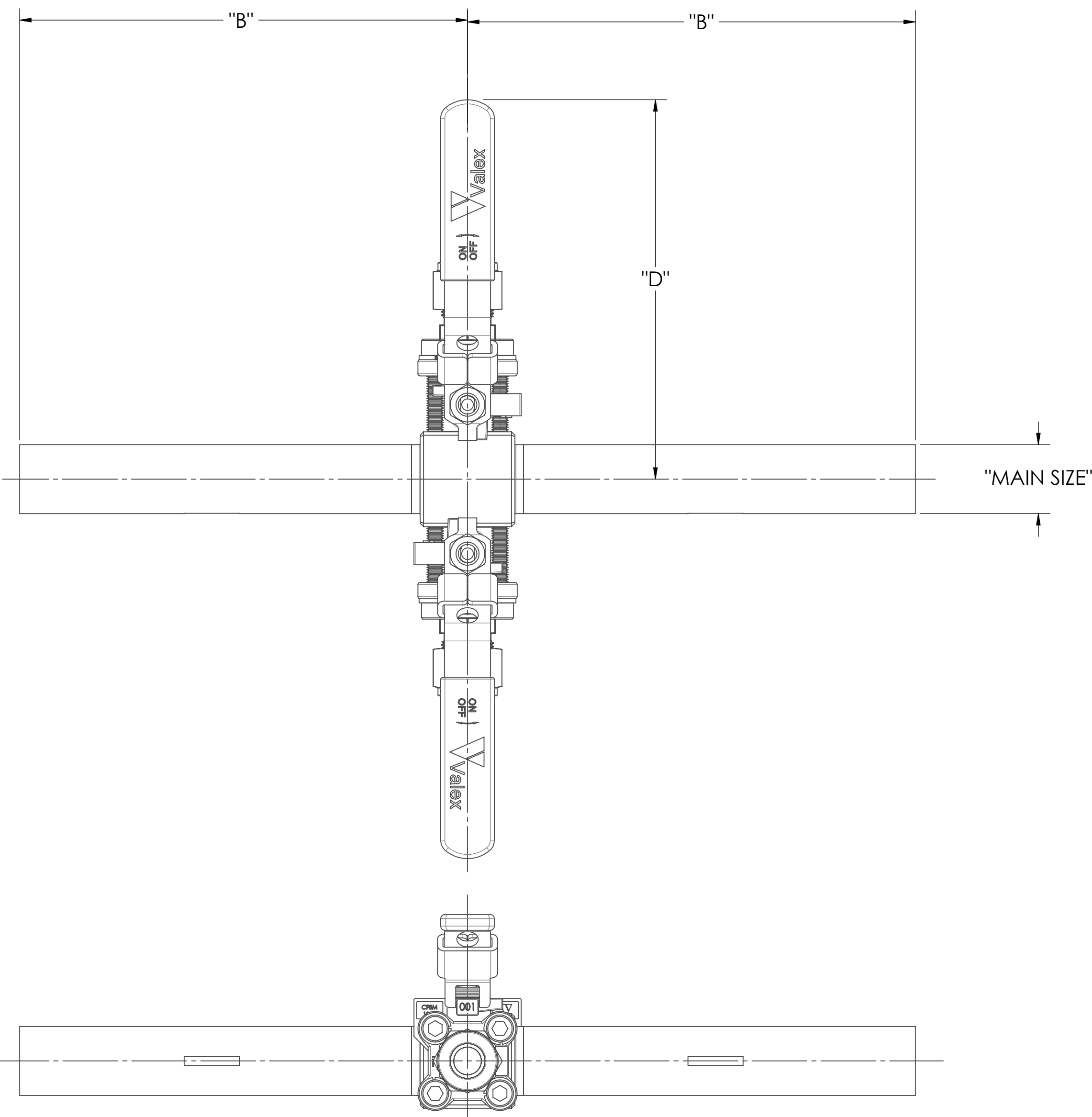



REVISIONS			
REV.	DATE	DESCRIPTION	DCN
F	08-06-2012	ADD 6" RUN CONFIGURATIONS	1664
G	08-26-2013	CHANGES PER DCN 2037	2037
H	09-29-2022	CHANGES PER DCN 5762	5762

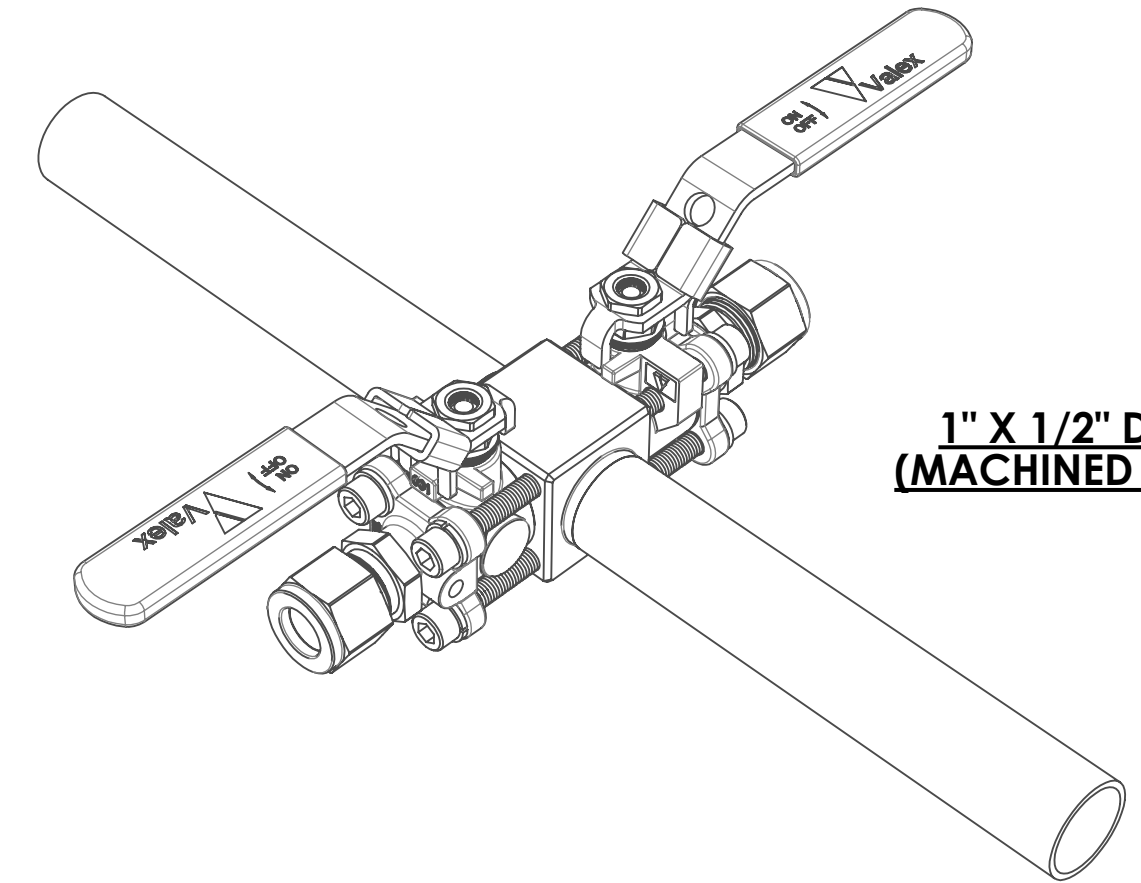


1. DIMENSIONS ARE APPROXIMATE AND MAY VARY FROM VALVE TO VALVE
REFERENCE VALEX SPECIFICATION SP-9217 FOR OVERALL LENGTH TOLERANCES.
2. DIMENSIONS ARE SUBJECT TO CHANGE AS PRODUCT IMPROVEMENTS MAY ALTER VALVE DESIGN.
3. OVERALL LENGTH DIMENSION IS CALCULATED ASSUMING COMPRESSION NUT IS FINGER TIGHT.

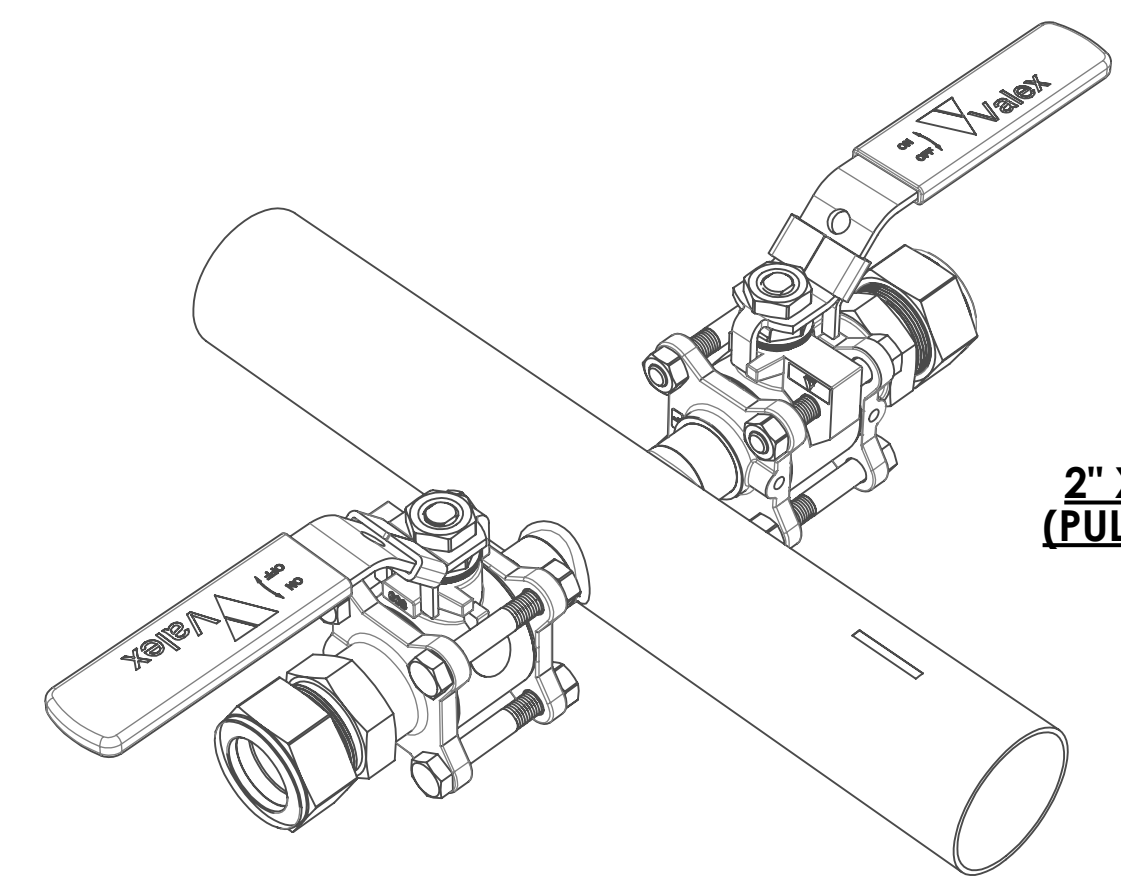
NOTES: UNLESS OTHERWISE SPECIFIED

CAD GENERATED DRAWING, DO NOT MANUALLY UPDATE		 6080 LELAND ST. VENTURA, CA 93003 (805) 658-0944 www.valex.com	
APPROVALS	DATE	BALL VALVE, DHC CROSS, COMPRESSION ENDS	
DRAWN	C. MAO 02-01-2002		
CHECKED	C. MAO 02-20-2002		
ENG.	C. MAO 02-20-2002		
Q.A.	R. MULDONG 02-21-2002		
MFG.	T. KELLENBERGER 02-22-2002	SIZE C DWG. NO. PDC-DHC-CC SCALE: 0.75:1	REV. H SHEET 1 OF 2

DIMENSIONS IN INCHES					
SIZE		"A"	"B"	"C"	"D"
MAIN	BRANCH				
1/2"	1/4"	2.89	5.50	2.16	5.48
	3/8"	3.01	5.50	2.16	5.48
	1/2"	3.15	5.50	2.16	5.48
3/4"	1/4"	2.89	6.50	2.16	5.48
	3/8"	3.01	6.50	2.16	5.48
	1/2"	3.15	6.50	2.16	5.48
	3/4"	3.70	6.50	2.32	6.42
1"	1/4"	2.89	6.50	2.16	5.48
	3/8"	3.01	6.50	2.16	5.48
	1/2"	3.15	6.50	2.16	5.48
	3/4"	3.70	6.50	2.32	6.42
	1"	5.33	6.50	2.92	7.96
1-1/2"	1/4"	4.38	6.50	2.16	6.97
	3/8"	4.50	6.50	2.16	6.97
	1/2"	4.63	6.50	2.16	6.97
	3/4"	4.98	6.50	2.32	7.70
	1"	5.61	6.50	2.92	8.24
	1-1/2"	7.39	6.50	3.76	10.81
2"	1/4"	4.66	6.50	2.16	7.25
	3/8"	4.78	6.50	2.16	7.25
	1/2"	4.91	6.50	2.16	7.25
	3/4"	5.24	6.50	2.32	7.99
	1"	5.90	6.50	2.92	8.53
	1-1/2"	7.67	6.50	3.76	11.10
3"	1/4"	5.13	8.50	2.16	7.72
	3/8"	5.25	8.50	2.16	7.72
	1/2"	5.38	8.50	2.16	7.72
	3/4"	5.76	8.50	2.32	8.49
	1"	6.40	8.50	2.92	9.03
	1-1/2"	8.20	8.50	3.76	11.62
4"	1/4"	5.69	8.50	2.16	8.27
	3/8"	5.80	8.50	2.16	8.27
	1/2"	5.94	8.50	2.16	8.27
	3/4"	6.26	8.50	2.32	8.99
	1"	6.90	8.50	2.92	9.53
	1-1/2"	8.77	8.50	3.76	12.19
6"	1/4"	6.48	8.50	2.16	9.04
	3/8"	6.55	8.50	2.16	9.04
	1/2"	6.70	8.50	2.16	9.04
	3/4"	7.34	8.50	2.32	10.06
	1"	7.97	8.50	2.92	10.60
	1-1/2"	9.80	8.50	3.76	13.22



**1" X 1/2" DHC SHOWN
(MACHINED BLOCK ASSY).**



**2" X 1" DHC SHOWN
(PULLED CROSS ASSY).**