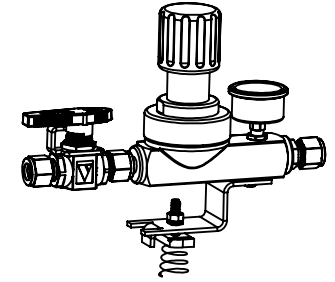
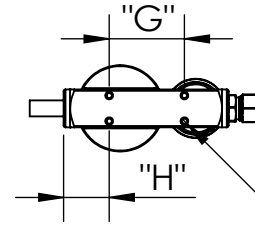
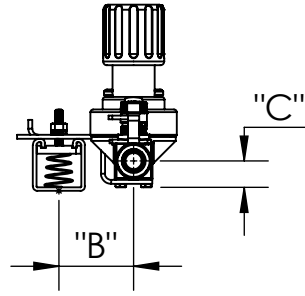
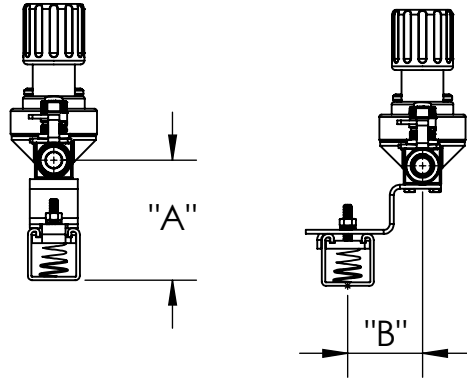


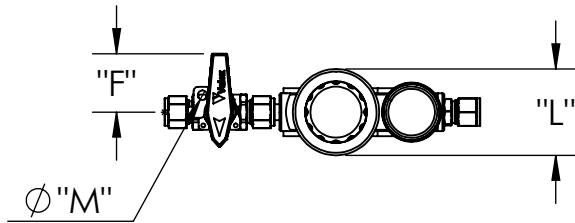
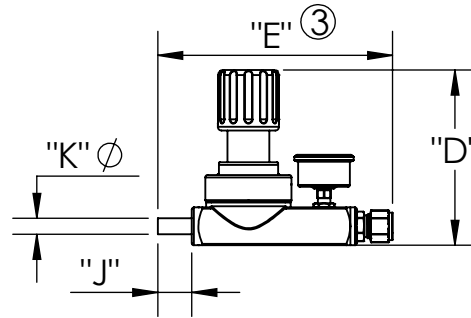
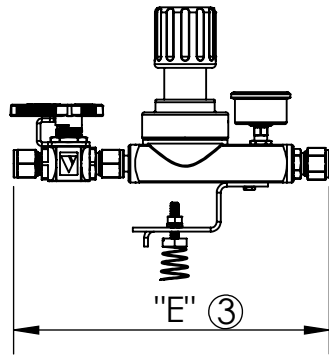
THE INFORMATION CONTAINED IN THIS DRAWING IS THE SOLE PROPERTY OF VALEX CORPORATION. ANY REPRODUCTION IN PART OR WHOLE WITHOUT THE WRITTEN PERMISSION OF VALEX CORPORATION IS PROHIBITED.

G2 & G3 CONFIGURATIONS

REVISIONS RECORD			
DATE	REV.	DESCRIPTION	DCN
07/31/20	F	CHANGES PER DCN 4846	4846
09/23/20	G	CHANGES PER DCN 4886	4886
10/14/20	H	CHANGES PER DCN 4904	4904
06/10/21	I	CHANGES PER DCN 5162	5162



\emptyset 10-32 UNF -2B



NOTES:

1. DIMENSIONS ARE APPROXIMATE AND MAY VARY FROM VALVE TO VALVE
REFERENCE VALEX SPECIFICATION SP-9240
2. DIMENSIONS ARE SUBJECT TO CHANGE AS PRODUCTS IMPROVEMENTS MAY ALTER VALVE DESIGN
3. OVERALL LENGTH DIMENSION IS CALCULATED ASSUMING COMPRESSION NUT IS FINGER TIGHT
4. HEIGHT AND OFFSET DIMENSIONS ARE CALCULATED USING 1-5/8" X 1-5/8" STRUT CHANNEL MATERIAL
5. UNITS ARE IN INCHES

Valex
6080 LELAND ST.
VENTURA, CA. 93003
(805) 658-0944
www.valex.com

CUT SHEET CFOS GAS STICK

SIZE A	DWG. NO. PDC-GAS STICK	REV. I
SCALE: 1:6		SHEET 1 OF 2

G2 & G3 CONFIGURATIONS

PART NUMBER	DESCRIPTION	"A"	"B"	"C"	"D"	"E"	"F"	"G"	"H"	"J"	"K"	"L"	"M"
G3A-0404C-1-00	1/4" GAS STICK W/O BALL VALVE, 0.15 CV	-	-	-	4.2	5.9	-	1.77	1.20	0.75	0.25	1.89	-
G3A-0404C-1-10	1/4" GAS STICK W/O BALL VALVE, 0.15 CV, MOUNTING BRACKET	3.59	2.34	0.67	4.2	5.9	-	1.77	1.20	0.75	0.25	1.89	-
G3B-0808C-1-00	1/2" GAS STICK W/O BALL VALVE, 1.8 CV	-	-	-	5.5	7.3	-	2.35	1.43	1.06	0.50	2.70	-
G3B-0808C-1-10	1/2" GAS STICK W/O BALL VALVE, 1.8 CV, MOUNTING BRACKET	3.79	2.34	0.87	5.5	7.3	-	2.35	1.43	1.06	0.50	2.70	-
G2A-0404C-1-00	1/4" GAS STICK ASSEMBLY, 0.15 CV	-	-	-	4.2	7.9	1.22	1.77	1.20	-	-	1.89	-
G2A-0404C-1-10	1/4" GAS STICK ASSEMBLY, 0.15 CV, MOUNTING BRACKET	3.59	2.34	0.67	4.2	7.9	1.22	1.77	1.20	-	-	1.89	-
G2A-0404C-1-20	1/4" GAS STICK ASSEMBLY, 0.15 CV, LOTO	-	-	-	4.2	7.9	1.22	1.77	1.20	-	-	1.89	0.3
G2A-0404C-1-30	1/4" GAS STICK ASSEMBLY, 0.15 CV, MOUNTING BRACKET, LOTO	3.59	2.34	0.67	4.2	7.9	1.22	1.77	1.20	-	-	1.89	0.3
G2A-0606C-1-00	3/8" GAS STICK ASSEMBLY, 0.15 CV	-	-	-	4.2	8.2	1.37	1.77	1.20	-	-	1.89	-
G2B-0606C-1-00	3/8" GAS STICK ASSEMBLY, 1.8 CV	-	-	-	5.5	9.5	1.37	2.35	1.43	-	-	2.70	-
G2B-0606C-1-01	3/8" GAS STICK ASSEMBLY, 1.8 CV, FILTER LF	-	-	-	5.5	12.5	1.37	2.35	1.43	-	-	2.70	-
G2B-0808C-1-00	1/2" GAS STICK ASSEMBLY, 1.8 CV	-	-	-	5.5	9.9	1.83	2.35	1.43	-	-	2.70	-
G2B-0808C-1-10	1/2" GAS STICK ASSEMBLY, 1.8 CV, MOUNTING BRACKET	3.79	2.34	0.87	5.5	9.9	1.83	2.35	1.43	-	-	2.70	-
G2B-0808C-1-20	1/2" GAS STICK ASSEMBLY, 1.8 CV, LOTO	-	-	-	5.5	9.9	1.83	2.35	1.43	-	-	2.70	0.3
G2B-0808C-1-30	1/2" GAS STICK ASSEMBLY, 1.8 CV, MOUNTING BRACKET, LOTO	3.79	2.34	0.87	5.5	9.9	1.83	2.35	1.43	-	-	2.70	0.3
G2B-0808C-1-01	1/2" GAS STICK ASSEMBLY, 1.8 CV, FILTER LF	-	-	-	5.5	12.8	1.83	2.35	1.43	-	-	2.70	-
G2B-1212C-1-00	3/4" GAS STICK ASSEMBLY, 1.8 CV	-	-	-	5.5	10.3	1.83	2.35	1.43	-	-	2.70	-


Valex
 6080 LELAND ST.
 VENTURA, CA. 93003
 (805) 658-0944
www.valex.com

CUT SHEET CFOS GAS STICK

SIZE A	DWG. NO. PDC-GAS STICK	REV. 1
SCALE: 1:6		SHEET 2 OF 2