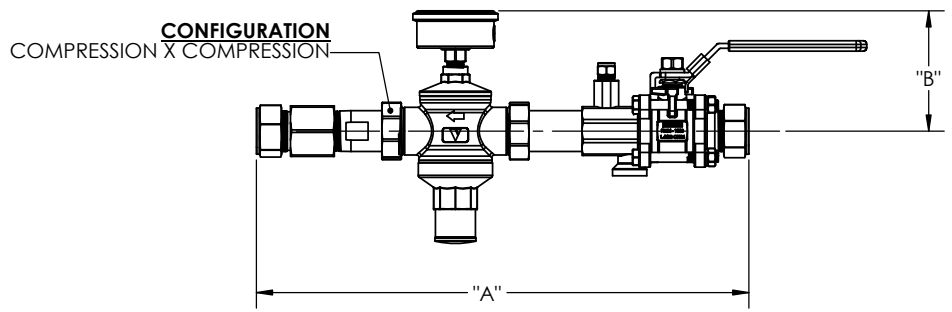
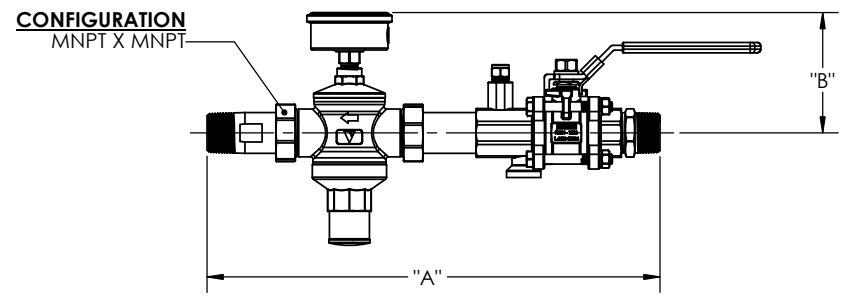
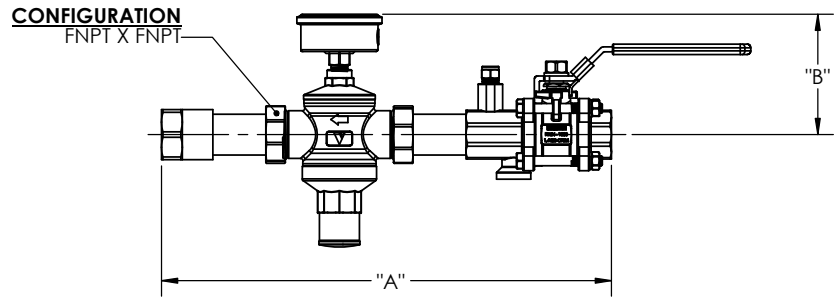



REVISION RECORD			
DATE	REV.	DESCRIPTION	DCN
07-30-2020	D	CHANGES PER DCN 4843	4843

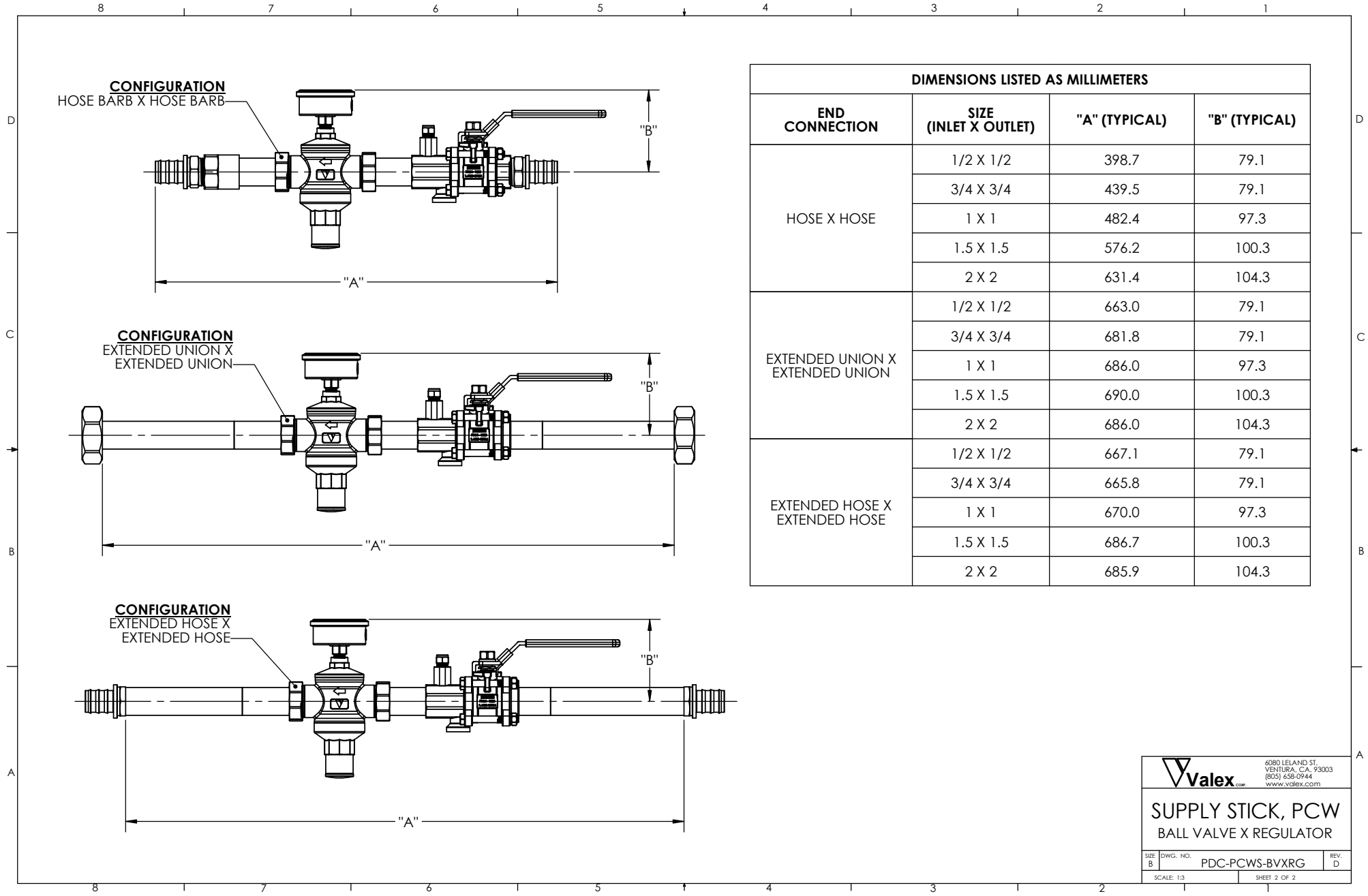


DIMENSIONS LISTED AS MILLIMETERS			
END CONNECTION	SIZE (INLET X OUTLET)	"A" (TYPICAL)	"B" (TYPICAL)
FNPT X FNPT	1/2 X 1/2	312.9	79.1
	3/4 X 3/4	325.3	79.1
	1 X 1	367.9	97.3
	1.5 X 1.5	400.0	100.3
	2 X 2	430.7	104.3
MNPT X MNPT	1/2 X 1/2	316.2	79.1
	3/4 X 3/4	327.5	79.1
	1 X 1	370.5	97.3
	1.5 X 1.5	402.0	100.3
	2 X 2	432.2	104.3
COMPRESSION X COMPRESSION	1/2 X 1/2	331.0	79.1
	3/4 X 3/4	346.5	79.1
	1 X 1	402.8	97.3
	1.5 X 1.5	505.4	100.3
	2 X 2	574.2	104.3

1. DIMENSIONS ARE APPROXIMATE AND MAY VARY ON EACH PCW ASSEMBLY.
2. REFERENCE VALEX SPECIFICATION SP-9238 FOR ADDITIONAL DETAILS.
3. DIMENSIONS ARE SUBJECT TO CHANGE AS PRODUCT IMPROVEMENTS MAY ALTER ASSEMBLY DESIGN.

NOTES: UNLESS OTHERWISE SPECIFIED

CAD GENERATED DRAWING. DO NOT MANUALLY UPDATE		 6080 LELAND ST. VENTURA, CA, 93003 (805) 638-0244 www.valex.com	
APPROVALS	DATE	SUPPLY STICK, PCW BALL VALVE X REGULATOR PDC-PCWS-BVXRG	
DRAWN C. MAG	04-16-2019		
CHECKED T. NEVINS	04-17-2019		
ENG. C. MAG	04-17-2019		
Q.A. J. KIM	04-18-2019		
MFG. T. KELLENBERGER	04-18-2019	SIZE B DWG. NO. PDC-PCWS-BVXRG SCALE: 1:3 SHEET 1 OF 2	REV. D



DIMENSIONS LISTED AS MILLIMETERS			
END CONNECTION	SIZE (INLET X OUTLET)	"A" (TYPICAL)	"B" (TYPICAL)
HOSE X HOSE	1/2 X 1/2	398.7	79.1
	3/4 X 3/4	439.5	79.1
	1 X 1	482.4	97.3
	1.5 X 1.5	576.2	100.3
	2 X 2	631.4	104.3
EXTENDED UNION X EXTENDED UNION	1/2 X 1/2	663.0	79.1
	3/4 X 3/4	681.8	79.1
	1 X 1	686.0	97.3
	1.5 X 1.5	690.0	100.3
	2 X 2	686.0	104.3
EXTENDED HOSE X EXTENDED HOSE	1/2 X 1/2	667.1	79.1
	3/4 X 3/4	665.8	79.1
	1 X 1	670.0	97.3
	1.5 X 1.5	686.7	100.3
	2 X 2	685.9	104.3

Valex
6080 LELAND ST.
VENTURA, CA, 93003
(805) 638-0944
www.valex.com

**SUPPLY STICK, PCW
BALL VALVE X REGULATOR**

SIZE B	DWG. NO. PDC-PCWS-BVXRG	REV. D
SCALE: 1:3		SHEET 2 OF 2