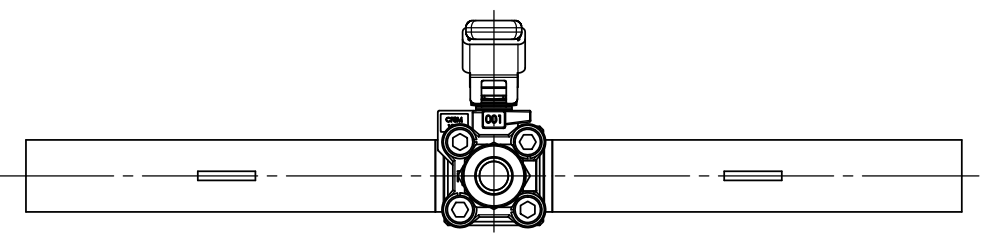
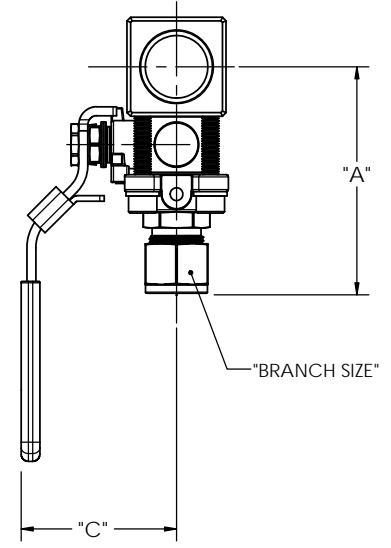
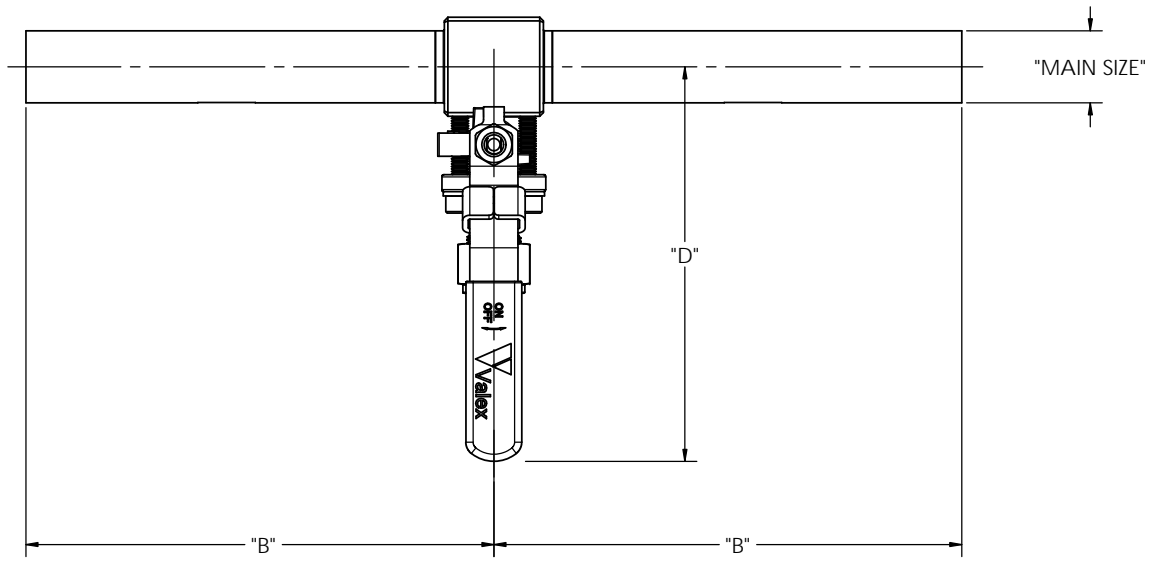



REVISION RECORD			
REV.	DATE	DESCRIPTION	DCN
E	07-16-2008	ADD 2 X 1-1/2" ASSEMBLY	1159
F	08-31-2009	REVISE DIMENSIONS	1121
G	08-06-2012	ADD 6" MAIN RUN CONFIGURATIONS	1664
H	08-26-2013	CHANGES PER DCN 2037	2037

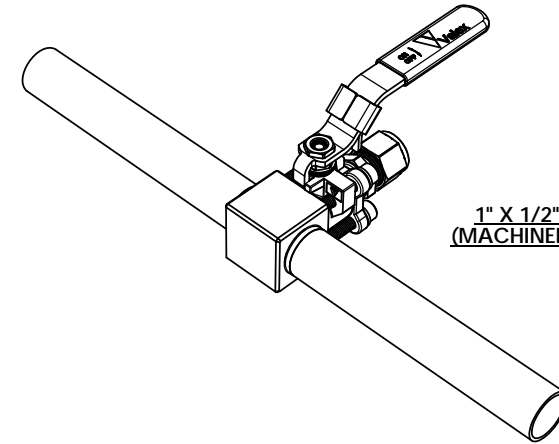


1. DIMENSIONS ARE APPROXIMATE AND MAY VARY FROM VALVE TO VALVE  
REFERENCE VALEX SPECIFICATION SP-9217 FOR OVERALL LENGTH TOLERANCES.
2. DIMENSIONS ARE SUBJECT TO CHANGE AS PRODUCT IMPROVEMENTS MAY ALTER VALVE DESIGN.
3. OVERALL LENGTH DIMENSION IS CALCULATED ASSUMING COMPRESSION NUT IS FINGER TIGHT.

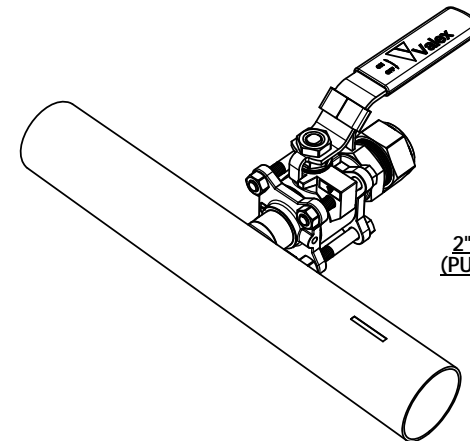
NOTES: UNLESS OTHERWISE SPECIFIED

CAD GENERATED DRAWING DO NOT MANUALLY UPDATE		6080 LELAND ST VENTURA, CA 93003 (805) 658-0944 www.valex.com	
APPROVALS	DATE	 <b>BALL VALVE, SHC</b> <b>CROSS, COMPRESSION ENDS</b>	
DRAWN	C. MAG 02-04-2002		
CHECKED	C. MAG 02-20-2002		
ENG.	C. MAG 02-20-2002		
D.A.	R. MULLONG 02-21-2002		
MFG	T. KELLERBERGER 02-22-2002	SIZE	DRWG. NO.
		C	PDC-SHC-CC
		SCALE: 0.75:1	REV. H
			SHEET 1 OF 2

DIMENSIONS IN INCHES					
SIZE		"A"	"B"	"C"	"D"
MAIN	BRANCH				
1/2"	1/4"	2.89	5.50	2.16	5.48
	3/8"	3.01	5.50	2.16	5.48
	1/2"	3.15	5.50	2.16	5.48
3/4"	1/4"	2.89	6.50	2.16	5.48
	3/8"	3.01	6.50	2.16	5.48
	1/2"	3.15	6.50	2.16	5.48
	3/4"	3.70	6.50	2.32	6.42
1"	1/4"	2.89	6.50	2.16	5.48
	3/8"	3.01	6.50	2.16	5.48
	1/2"	3.15	6.50	2.16	5.48
	3/4"	3.70	6.50	2.32	6.42
1-1/2"	1"	5.33	6.50	2.92	7.96
	1/4"	4.38	6.50	2.16	6.97
	3/8"	4.50	6.50	2.16	6.97
	1/2"	4.63	6.50	2.16	6.97
	3/4"	4.98	6.50	2.32	7.70
2"	1"	5.61	6.50	2.92	8.24
	1-1/2"	7.39	6.50	3.76	10.81
	1/4"	4.66	6.50	2.16	7.25
	3/8"	4.78	6.50	2.16	7.25
	1/2"	4.91	6.50	2.16	7.25
	3/4"	5.24	6.50	2.32	7.99
	1"	5.90	6.50	2.92	8.53
3"	1-1/2"	7.67	6.50	3.76	11.10
	2"	9.17	6.50	4.12	11.35
	1/4"	5.13	8.50	2.16	7.72
	3/8"	5.25	8.50	2.16	7.72
	1/2"	5.38	8.50	2.16	7.72
	3/4"	5.76	8.50	2.32	8.49
	1"	6.40	8.50	2.92	9.03
4"	1-1/2"	8.20	8.50	3.76	11.62
	2"	9.69	8.50	4.12	11.87
	1/4"	5.69	8.50	2.16	8.27
	3/8"	5.80	8.50	2.16	8.27
	1/2"	5.94	8.50	2.16	8.27
	3/4"	6.26	8.50	2.32	8.99
6"	1"	6.90	8.50	2.92	9.53
	1-1/2"	8.77	8.50	3.76	12.19
	2"	10.24	8.50	4.12	12.44
	1/4"	6.48	8.50	2.16	9.04
	3/8"	6.55	8.50	2.16	9.04
	1/2"	6.70	8.50	2.16	9.04
	3/4"	7.34	8.50	2.32	10.06
6"	1"	7.97	8.50	2.92	10.60
	1-1/2"	9.80	8.50	3.76	13.22
	2"	11.29	8.50	4.12	13.47



**1" X 1/2" SHC SHOWN  
(MACHINED BLOCK ASSY.)**



**2" X 1" SHC SHOWN  
(PULLED CROSS ASSY.)**